

# LM135/LM235/LM335, LM135A/LM235A/LM335A Precision Temperature Sensors

## General Description

The LM135 series are precision, easily-calibrated, integrated circuit temperature sensors. Operating as a 2-terminal zener, the LM135 has a breakdown voltage directly proportional to absolute temperature at +10 mV/°K. With less than 1Ω dynamic impedance the device operates over a current range of 400 μA to 5 mA with virtually no change in performance. When calibrated at 25°C the LM135 has typically less than 1° C error over a 100°C temperature range. Unlike other sensors the LM135 has a linear output.

Applications for the LM135 include almost any type of temperature sensing over a -55°C to 150°C temperature range. The low impedance and linear output make interfacing to readout or control circuitry especially easy.

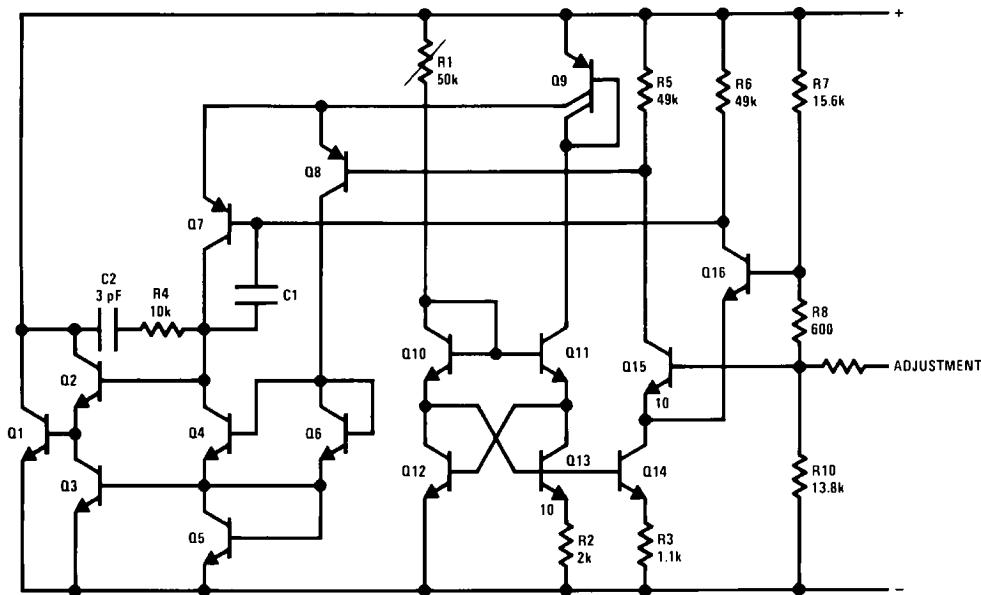
The LM135 operates over a -55°C to 150°C temperature range while the LM235 operates over a -40°C to 125°C tem-

perature range. The LM335 operates from -40°C to 100°C. The LM135/LM235/LM335 are available packaged in hermetic TO-46 transistor packages while the LM335 is also available in plastic TO-92 packages.

## Features

- Directly calibrated in °Kelvin
- 1°C initial accuracy available
- Operates from 400 μA to 5 mA
- Less than 1Ω dynamic impedance
- Easily calibrated
- Wide operating temperature range
- 200°C overrange
- Low cost

## Schematic Diagram



569801

**Absolute Maximum Ratings** (Note 4)

If Military/Aerospace specified devices are required, please contact the National Semiconductor Sales Office/Distributors for availability and specifications.

|                     |                |
|---------------------|----------------|
| Reverse Current     | 15 mA          |
| Forward Current     | 10 mA          |
| Storage Temperature |                |
| 8-Pin SOIC Package  | -65°C to 150°C |
| TO-92 Package       | -60°C to 150°C |
| TO-46 Package       | -60°C to 180°C |

Specified Operating Temp. Range

**Continuous****Intermittent**  
(Note 2)

|               |                |                |
|---------------|----------------|----------------|
| LM135, LM135A | -55°C to 150°C | 150°C to 200°C |
| LM235, LM235A | -40°C to 125°C | 125°C to 150°C |
| LM335, LM335A | -40°C to 100°C | 100°C to 125°C |

Lead Temp. (Soldering, 10 seconds)

|                           |       |
|---------------------------|-------|
| 8-Pin SOIC Package:       | 300°C |
| Vapor Phase (60 seconds): | 215°C |
| Infrared (15 seconds):    | 220°C |
| TO-92 Package:            | 260°C |
| TO-46 Package:            | 300°C |

**Temperature Accuracy** (Note 1)

LM135/LM235, LM135A/LM235A

| Parameter                                 | Conditions  | LM135A/LM235A |      |      | LM135/LM235 |      |      | Units |
|---|---|---------------|------|------|-------------|------|------|-------|
|   |   | Min           | Typ  | Max  | Min         | Typ  | Max  |       |
| Operating Output Voltage                  | $T_C = 25^\circ\text{C}$ , $I_R = 1\text{ mA}$                      | 2.97          | 2.98 | 2.99 | 2.95        | 2.98 | 3.01 | V     |
| Uncalibrated Temperature Error            | $T_C = 25^\circ\text{C}$ , $I_R = 1\text{ mA}$                      |               | 0.5  | 1    |             | 1    | 3    | °C    |
| Uncalibrated Temperature Error            | $T_{\text{MIN}} \leq T_C \leq T_{\text{MAX}}$ , $I_R = 1\text{ mA}$ |               | 1.3  | 2.7  |             | 2    | 5    | °C    |
| Temperature Error with 25°C Calibration   | $T_{\text{MIN}} \leq T_C \leq T_{\text{MAX}}$ , $I_R = 1\text{ mA}$ |               | 0.3  | 1    |             | 0.5  | 1.5  | °C    |
| Calibrated Error at Extended Temperatures | $T_C = T_{\text{MAX}}$ (Intermittent)                               |               | 2    |      |             | 2    |      | °C    |
| Non-Linearity                             | $I_R = 1\text{ mA}$   |               | 0.3  | 0.5  |             | 0.3  | 1    | °C    |

**Temperature Accuracy** (Note 1)

LM335, LM335A

| Parameter                                 | Conditions  | LM335A |      |      | LM335 |      |      | Units |
|---|---|--------|------|------|-------|------|------|-------|
|   |   | Min    | Typ  | Max  | Min   | Typ  | Max  |       |
| Operating Output Voltage                  | $T_C = 25^\circ\text{C}$ , $I_R = 1\text{ mA}$                      | 2.95   | 2.98 | 3.01 | 2.92  | 2.98 | 3.04 | V     |
| Uncalibrated Temperature Error            | $T_C = 25^\circ\text{C}$ , $I_R = 1\text{ mA}$                      |        | 1    | 3    |       | 2    | 6    | °C    |
| Uncalibrated Temperature Error            | $T_{\text{MIN}} \leq T_C \leq T_{\text{MAX}}$ , $I_R = 1\text{ mA}$ |        | 2    | 5    |       | 4    | 9    | °C    |
| Temperature Error with 25°C Calibration   | $T_{\text{MIN}} \leq T_C \leq T_{\text{MAX}}$ , $I_R = 1\text{ mA}$ |        | 0.5  | 1    |       | 1    | 2    | °C    |
| Calibrated Error at Extended Temperatures | $T_C = T_{\text{MAX}}$ (Intermittent)                               |        | 2    |      |       | 2    |      | °C    |
| Non-Linearity                             | $I_R = 1\text{ mA}$   |        | 0.3  | 1.5  |       | 0.3  | 1.5  | °C    |

**Electrical Characteristics** (Note 1)

| Parameter                              | Conditions                                   | LM135/LM235<br>LM135A/LM235A |     |     | LM335<br>LM335A |     |     | Units    |
|--|--|------------------------------|-----|-----|-----------------|-----|-----|----------|
|  |  | Min                          | Typ | Max | Min             | Typ | Max |          |
| Operating Output Voltage               | $400\ \mu\text{A} \leq I_R \leq 5\text{ mA}$ |                              | 2.5 | 10  |                 | 3   | 14  | mV       |
| Change with Current                    | At Constant Temperature                      |                              |     |     |                 |     |     |          |
| Dynamic Impedance                      | $I_R = 1\text{ mA}$                          |                              | 0.5 |     |                 | 0.6 |     | $\Omega$ |
| Output Voltage Temperature Coefficient |  |                              | +10 |     |                 | +10 |     | mV/°C    |
| Time Constant                          | Still Air                                    |                              | 80  |     |                 | 80  |     | sec      |
|  | 100 ft/Min Air                               |                              | 10  |     |                 | 10  |     | sec      |
|  | Stirred Oil                                  |                              | 1   |     |                 | 1   |     | sec      |
| Time Stability                         | $T_C = 125^\circ\text{C}$                    |                              | 0.2 |     |                 | 0.2 |     | °C/khr   |

**Note 1:** Accuracy measurements are made in a well-stirred oil bath. For other conditions, self heating must be considered.

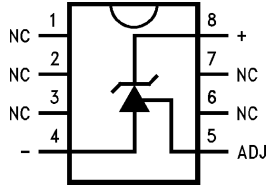
**Note 2:** Continuous operation at these temperatures for 10,000 hours for H package and 5,000 hours for Z package may decrease life expectancy of the device.

| Thermal Resistance                  | 8-Pin SOIC | TO-92   | TO-46   |
|-------------------------------------|------------|---------|---------|
| $\theta_{JA}$ (Junction to Ambient) | 165°C/W    | 202°C/W | 400°C/W |
| $\theta_{JC}$ (Junction to Case)    | N/A        | 170°C/W | N/A     |

**Note 4:** Refer to RETS135H for military specifications.

## Connection Diagrams

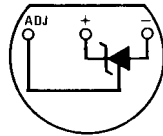
**8-Pin SOIC  
Surface Mount Package**



**Top View**

569825

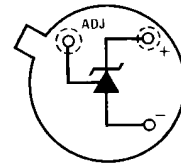
**TO-92  
Plastic Package**



**Bottom View**

569808

**TO-46  
Metal Can Package\***



**Bottom View**

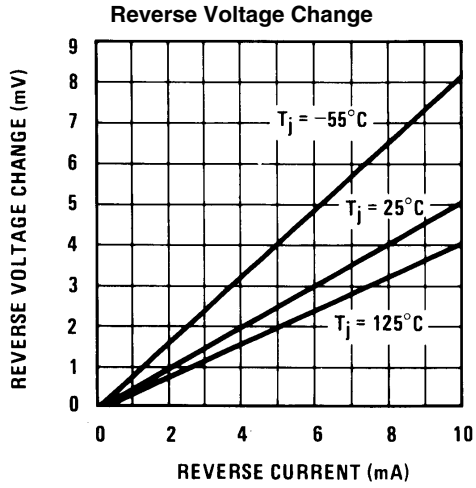
569826

\*Case is connected to negative pin

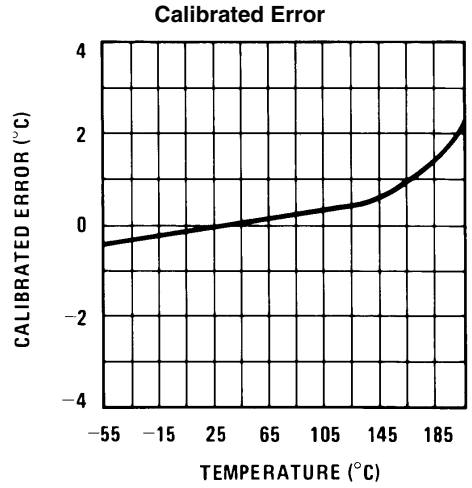
## Ordering Information

| Package    | Part Number | Package Marking | Transport Media          | NSC Drawing |
|------------|-------------|-----------------|--------------------------|-------------|
| 8-Pin SOIC | LM335AM     | LM335AM         | 95 Units/Rail            | M08A        |
|            | LM335AMX    |                 | 2.5k Units Tape and Reel |             |
|            | LM335M      | LM335M          | 95 Units/Rail            |             |
|            | LM335MX     |                 | 2.5k Units Tape and Reel |             |
| TO-92      | LM335AZ     | LM335AZ         | 1800 Bag                 | Z03Z        |
|            | LM335Z      | LM335Z          | 1800 Bag                 |             |
| TO-46      | LM135AH     | LM135AH         | 1000 Bag                 | H03H        |
|            | LM135H      | LM135H          | 1000 Bag                 |             |
|            | LM235AH     | LM235AH         | 1000 Bag                 |             |
|            | LM235H      | LM235H          | 1000 Bag                 |             |
|            | LM335AH     | LM335AH         | 1000 Bag                 |             |
|            | LM335H      | LM335H          | 1000 Bag                 |             |

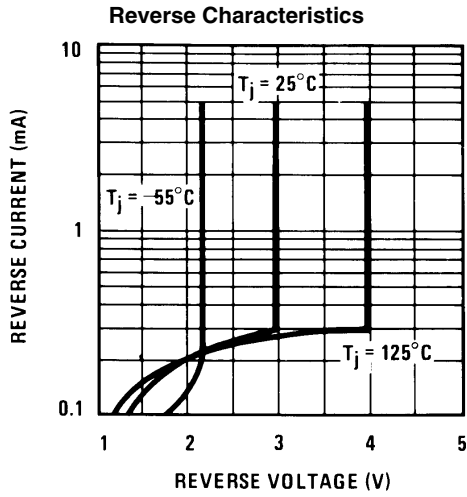
# Typical Performance Characteristics



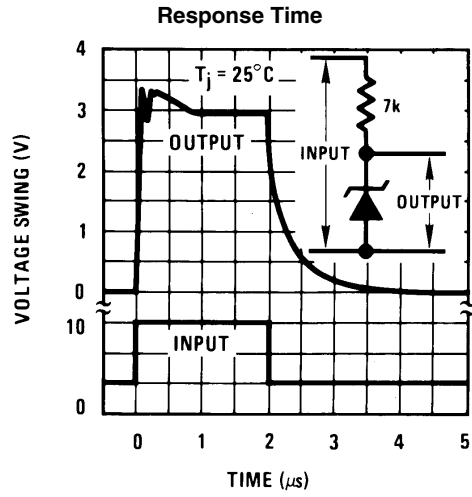
569827



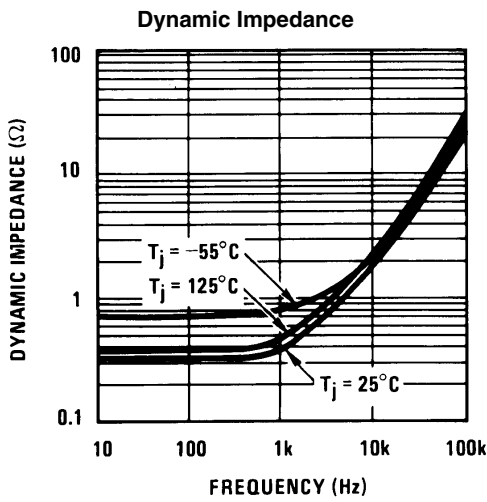
569828



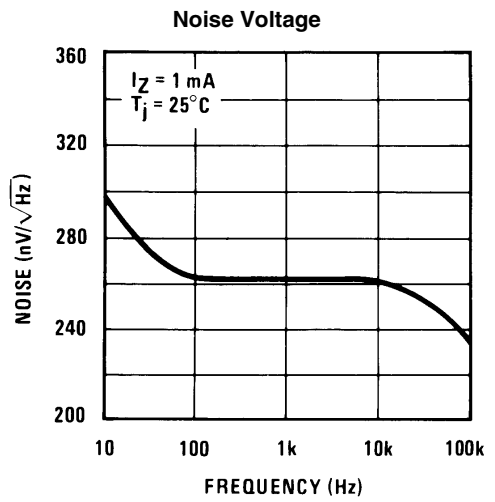
569829



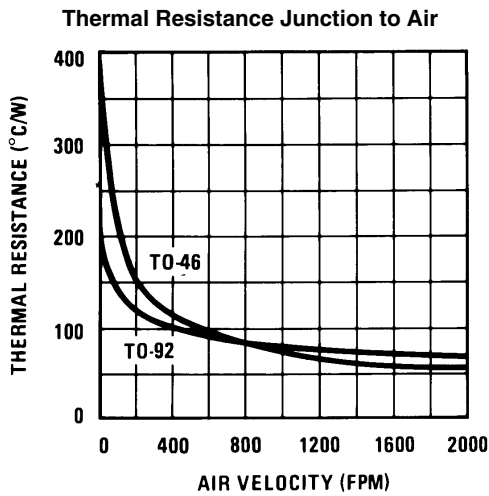
569830



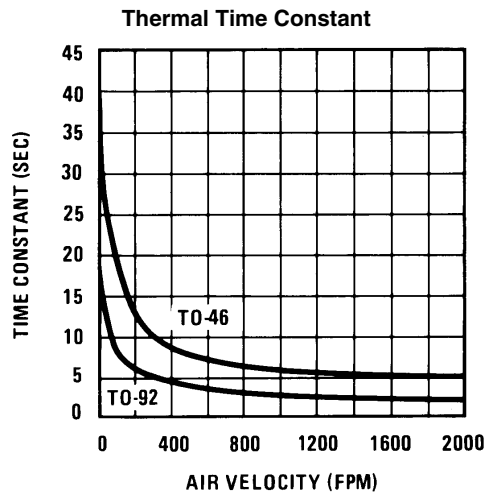
569831



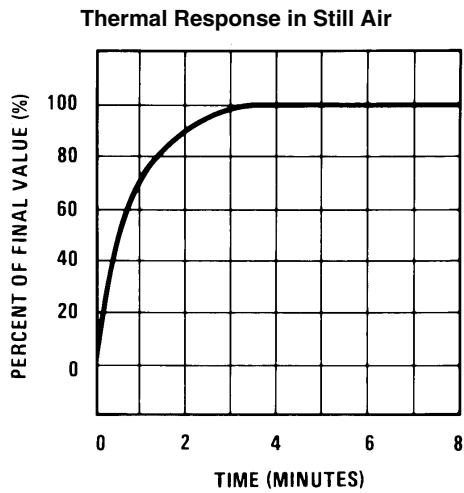
569832



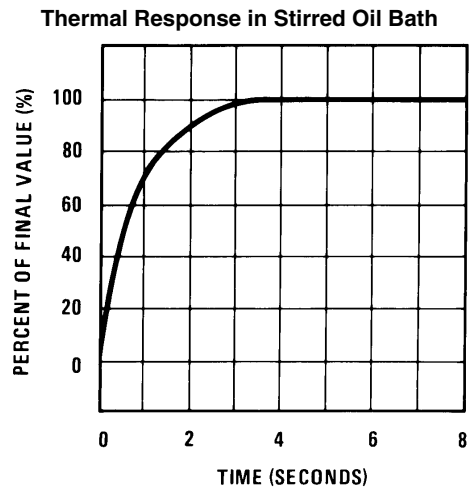
569833



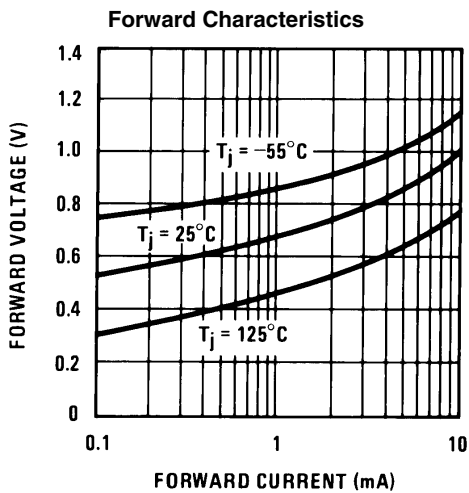
569834



569835



569836



569837

## Application Information

### CALIBRATING THE LM135

Included on the LM135 chip is an easy method of calibrating the device for higher accuracies. A pot connected across the LM135 with the arm tied to the adjustment terminal allows a 1-point calibration of the sensor that corrects for inaccuracy over the full temperature range.

This single point calibration works because the output of the LM135 is proportional to absolute temperature with the extrapolated output of sensor going to 0V output at 0°K (-273.15°C). Errors in output voltage versus temperature are only slope (or scale factor) errors so a slope calibration at one temperature corrects at all temperatures.

The output of the device (calibrated or uncalibrated) can be expressed as:

$$V_{OUT_T} = V_{OUT_{T_0}} \times \frac{T}{T_0}$$

where T is the unknown temperature and T<sub>0</sub> is a reference temperature, both expressed in degrees Kelvin. By calibrating the output to read correctly at one temperature the output at all temperatures is correct. Nominally the output is calibrated at 10 mV/°K.

To insure good sensing accuracy several precautions must be taken. Like any temperature sensing device, self heating can reduce accuracy. The LM135 should be operated at the lowest current suitable for the application. Sufficient current, of course, must be available to drive both the sensor and the calibration pot at the maximum operating temperature as well as any external loads.

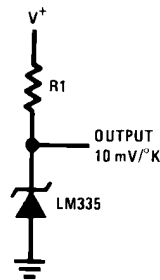
If the sensor is used in an ambient where the thermal resistance is constant, self heating errors can be calibrated out. This is possible if the device is run with a temperature stable current. Heating will then be proportional to zener voltage and therefore temperature. This makes the self heating error proportional to absolute temperature the same as scale factor errors.

### WATERPROOFING SENSORS

Meltable inner core heat shrinkable tubing such as manufactured by Raychem can be used to make low-cost waterproof sensors. The LM335 is inserted into the tubing about 1/2 from the end and the tubing heated above the melting point of the core. The unfilled 1/2 end melts and provides a seal over the device.

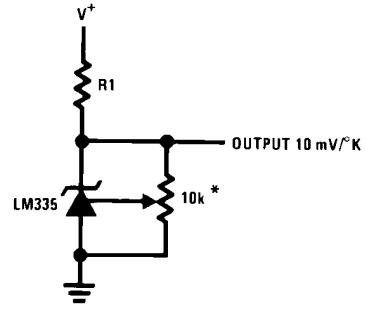
## Typical Applications

### Basic Temperature Sensor



569802

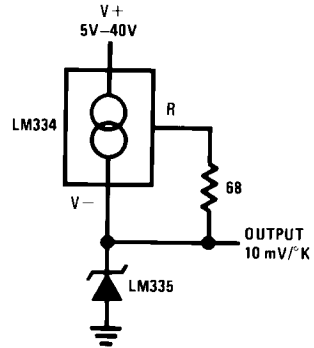
### Calibrated Sensor



569809

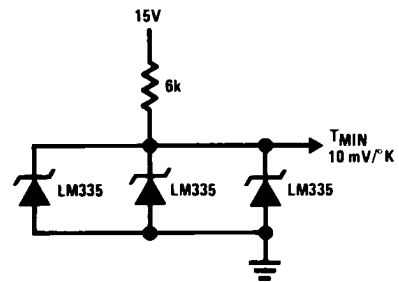
\*Calibrate for 2.982V at 25°C

### Wide Operating Supply



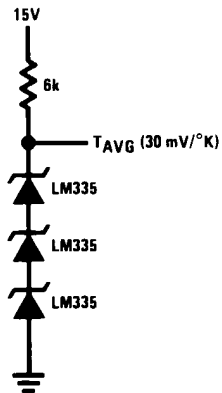
569810

### Minimum Temperature Sensing



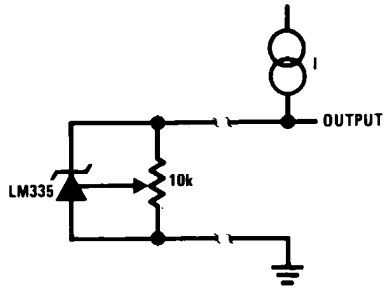
569804

### Average Temperature Sensing



569818

### Remote Temperature Sensing



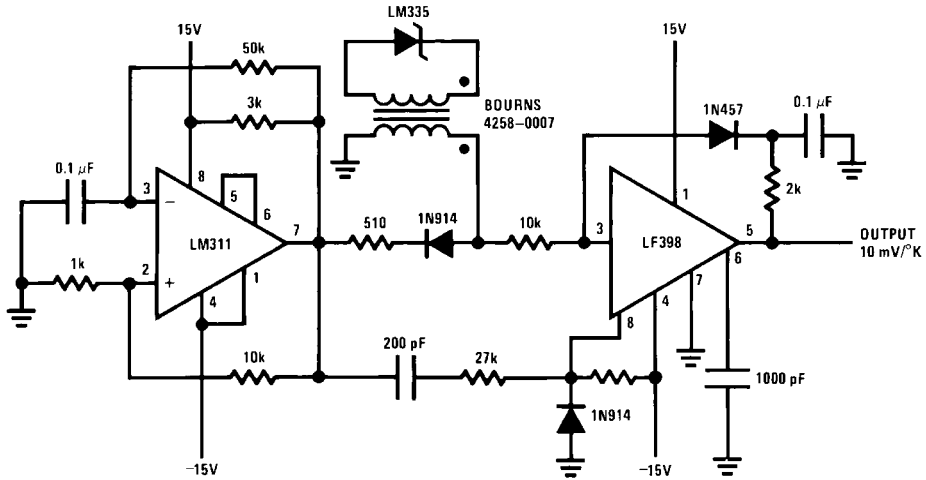
| AWG | $I_R = 1 \text{ mA}$ |      | $I_R = 0.5 \text{ mA}^*$ |      |
|-----|----------------------|------|--------------------------|------|
|     | FEET                 | FEET | FEET                     | FEET |
| 14  | 4000                 | 8000 |                          |      |
| 16  | 2500                 | 5000 |                          |      |
| 18  | 1600                 | 3200 |                          |      |
| 20  | 1000                 | 2000 |                          |      |
| 22  | 625                  | 1250 |                          |      |
| 24  | 400                  | 800  |                          |      |

\*For  $I_R = 0.5 \text{ mA}$ , the trim pot must be deleted.

Wire length for 1°C error due to wire drop

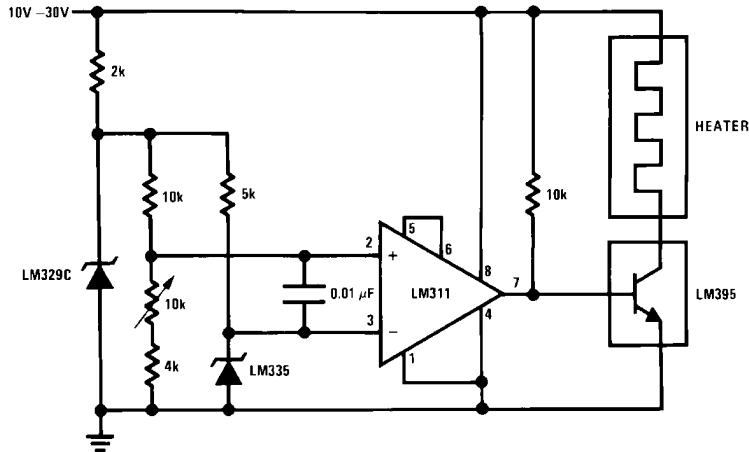
569819

### Isolated Temperature Sensor



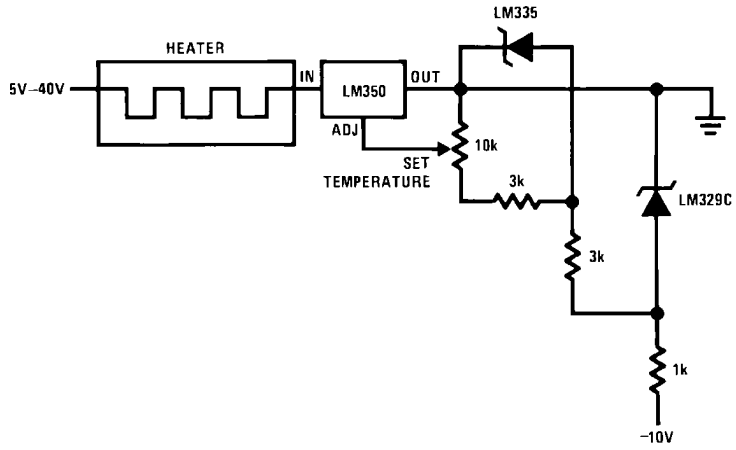
569820

### Simple Temperature Controller



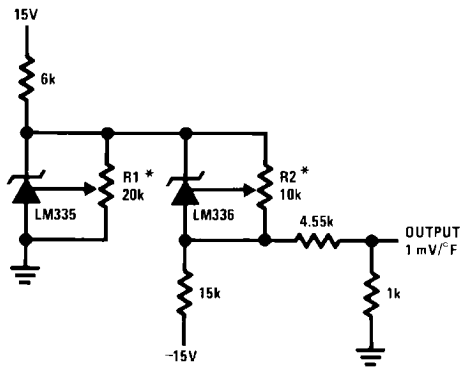
569805

### Simple Temperature Control



569821

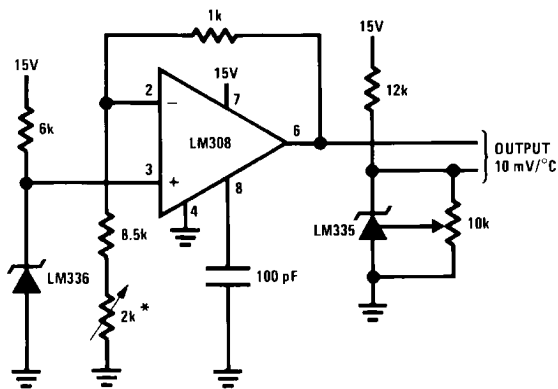
### Ground Referred Fahrenheit Thermometer



569822

\*Adjust R2 for 2.554V across LM336.  
Adjust R1 for correct output.

### Centigrade Thermometer

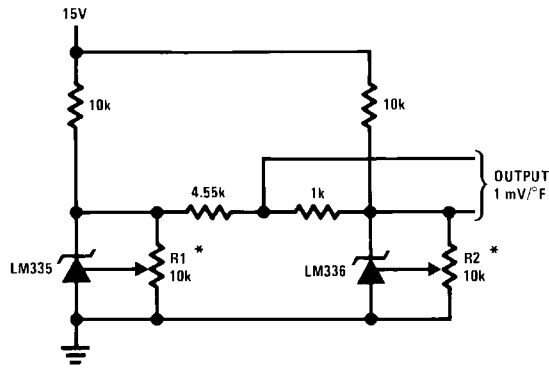


569823

\*Adjust for 2.7315V at output of LM308



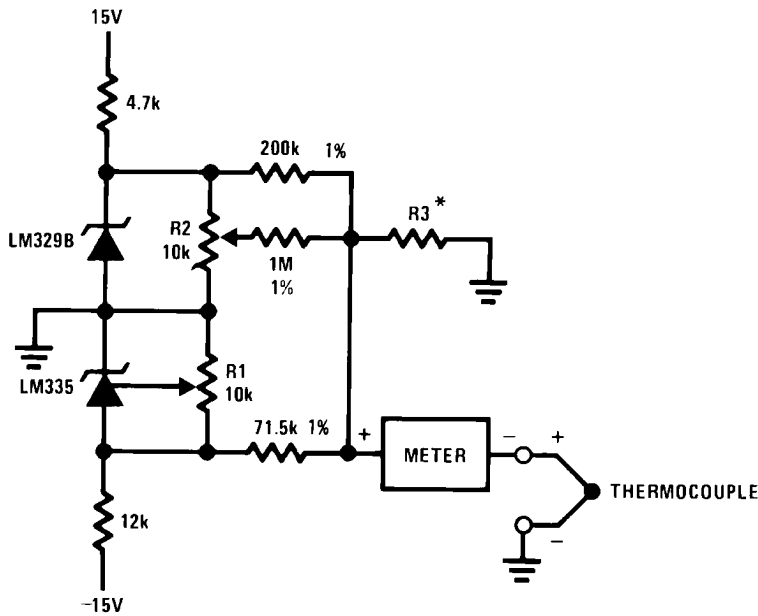
### Fahrenheit Thermometer



569824

\*To calibrate adjust R2 for 2.554V across LM336.  
Adjust R1 for correct output.

### THERMOCOUPLE COLD JUNCTION COMPENSATION Compensation for Grounded Thermocouple



569806

\*Select R3 for proper thermocouple type

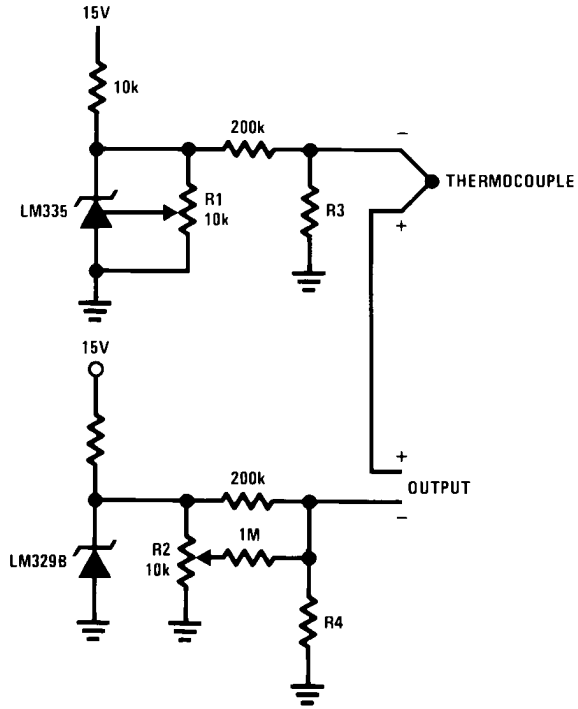
| THERMO-<br>COUPLE | R3<br>(±1%) | SEEBECK<br>COEFFICIENT |
|-------------------|-------------|------------------------|
| J                 | 377Ω        | 52.3 μV/°C             |
| T                 | 308Ω        | 42.8 μV/°C             |
| K                 | 293Ω        | 40.8 μV/°C             |
| S                 | 45.8Ω       | 6.4 μV/°C              |

**Adjustments:** Compensates for both sensor and resistor tolerances

1. Short LM329B
2. Adjust R1 for Seebeck Coefficient times ambient temperature (in degrees K) across R3.
3. Short LM335 and adjust R2 for voltage across R3 corresponding to thermocouple type.

|   |          |   |          |
|---|----------|---|----------|
| J | 14.32 mV | K | 11.17 mV |
| T | 11.79 mV | S | 1.768 mV |

Single Power Supply Cold Junction Compensation



569811

\*Select R3 and R4 for thermocouple type

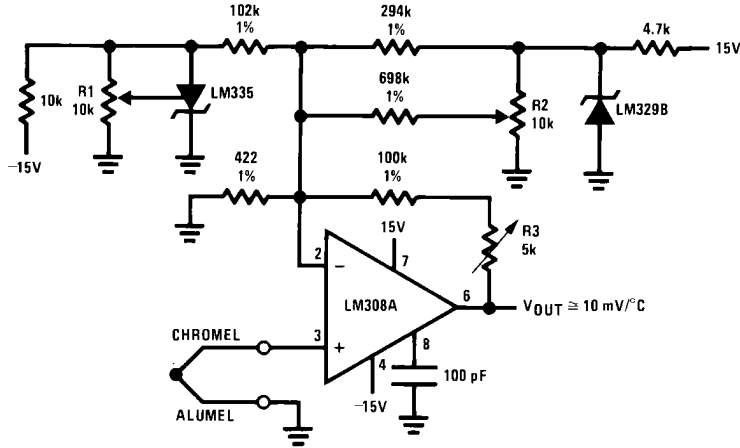
| THERMO-COUPLE | R3    | R4    | SEEBECK COEFFICIENT |
|---------------|-------|-------|---------------------|
| J             | 1.05K | 385Ω  | 52.3 μV/°C          |
| T             | 856Ω  | 315Ω  | 42.8 μV/°C          |
| K             | 816Ω  | 300Ω  | 40.8 μV/°C          |
| S             | 128Ω  | 46.3Ω | 6.4 μV/°C           |

**Adjustments:**

1. Adjust R1 for the voltage across R3 equal to the Seebeck Coefficient times ambient temperature in degrees Kelvin.
2. Adjust R2 for voltage across R4 corresponding to thermocouple.

|   |          |
|---|----------|
| J | 14.32 mV |
| T | 11.79 mV |
| K | 11.17 mV |
| S | 1.768 mV |

### Centigrade Calibrated Thermocouple Thermometer



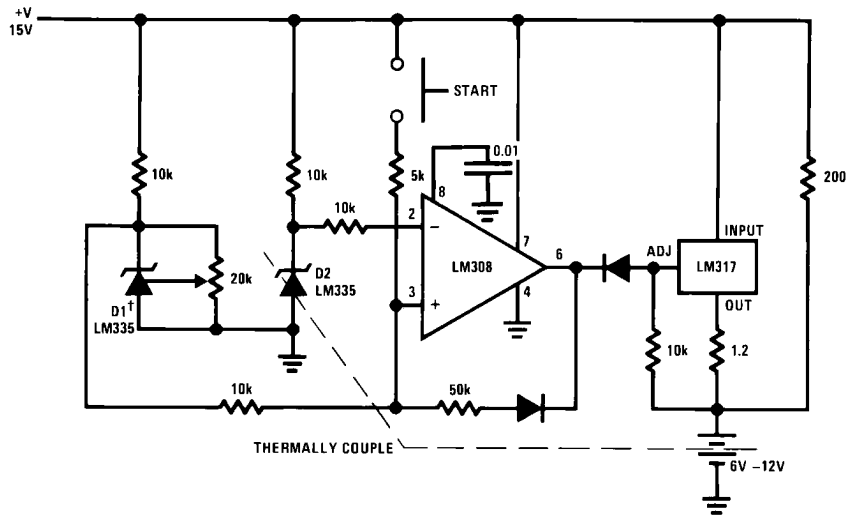
569812

Terminate thermocouple reference junction in close proximity to LM335.

#### Adjustments:

1. Apply signal in place of thermocouple and adjust R3 for a gain of 245.7.
2. Short non-inverting input of LM308A and output of LM329B to ground.
3. Adjust R1 so that  $V_{OUT} = 2.982V @ 25^{\circ}C$ .
4. Remove short across LM329B and adjust R2 so that  $V_{OUT} = 246 mV @ 25^{\circ}C$ .
5. Remove short across thermocouple.

### Fast Charger for Nickel-Cadmium Batteries

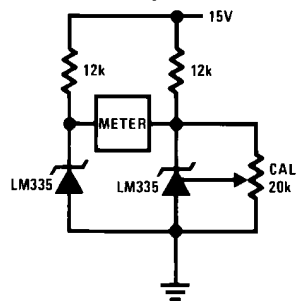


569813

†Adjust D1 to 50 mV greater  $V_Z$  than D2.

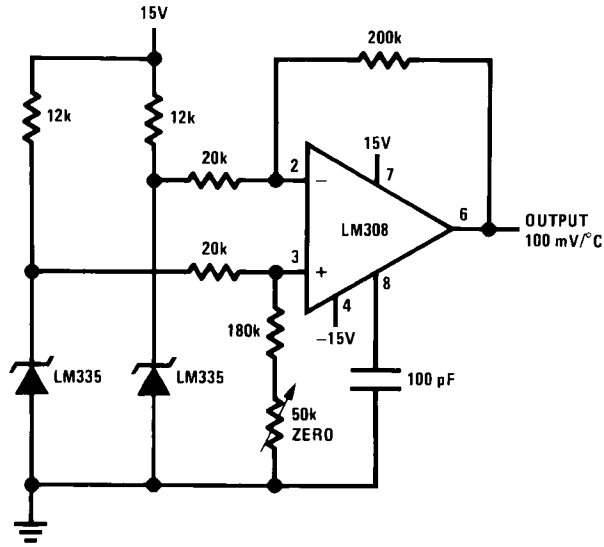
Charge terminates on 5°C temperature rise. Couple D2 to battery.

### Differential Temperature Sensor



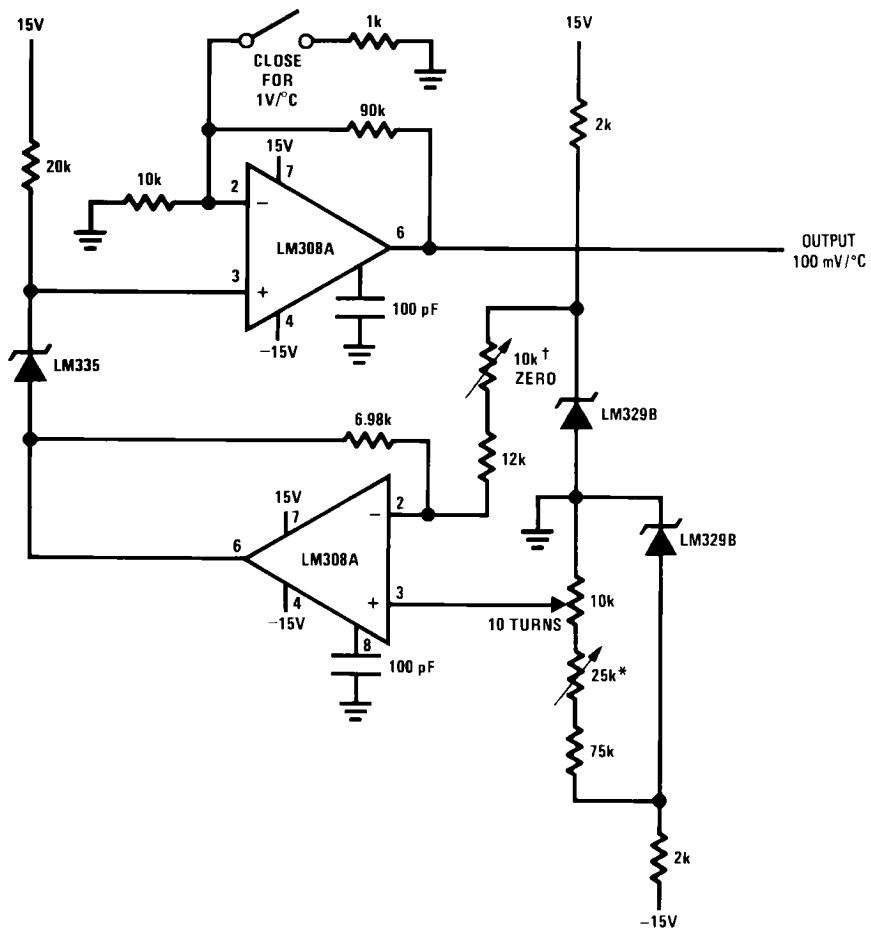
569807

### Differential Temperature Sensor



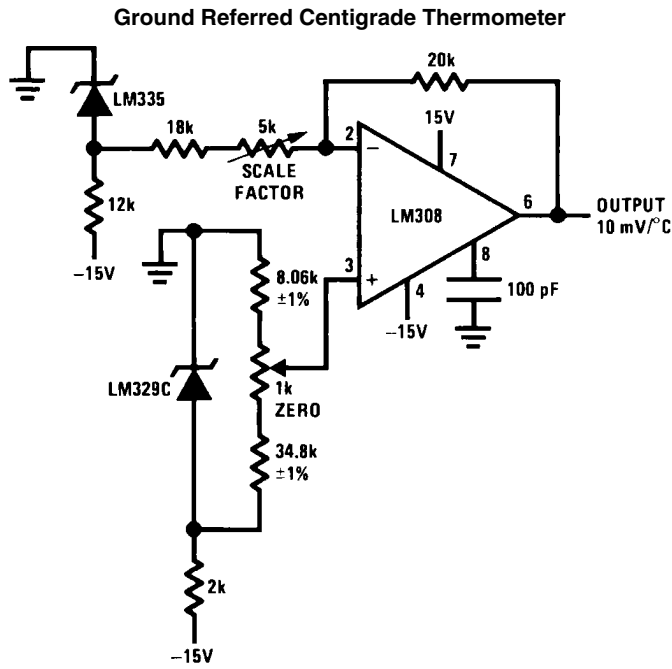
569814

### Variable Offset Thermometer†

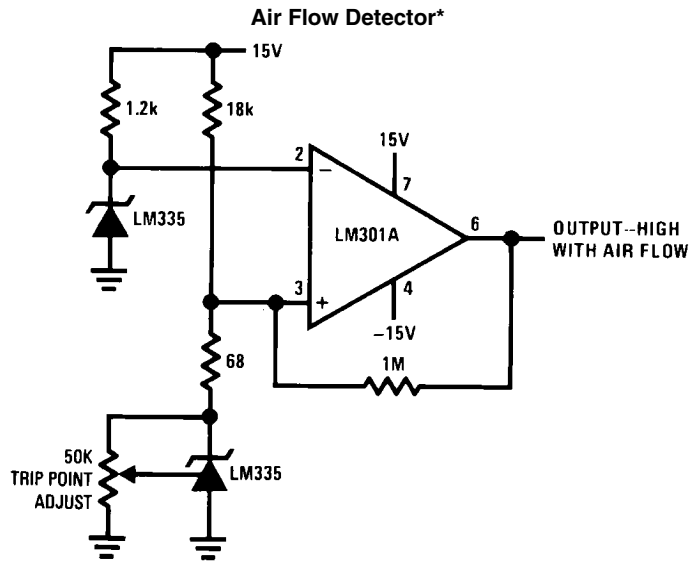


569815

†Adjust for zero with sensor at 0°C and 10T pot set at 0°C  
 \*Adjust for zero output with 10T pot set at 100°C and sensor at 100°C  
 ‡Output reads difference between temperature and dial setting of 10T pot



569816



569817

\*Self heating is used to detect air flow

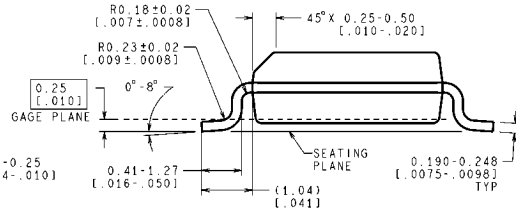
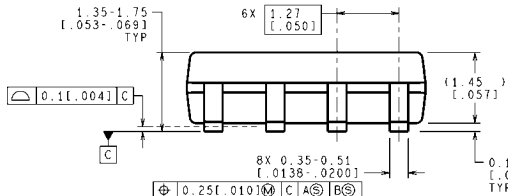
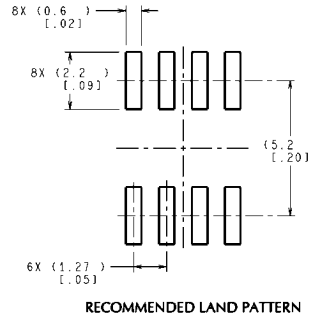
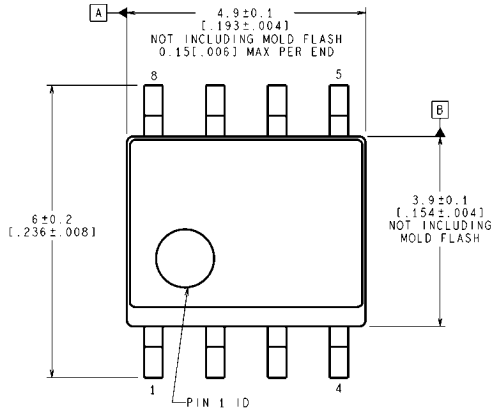
#### DEFINITION OF TERMS

**Operating Output Voltage:** The voltage appearing across the positive and negative terminals of the device at specified conditions of operating temperature and current.

**Uncalibrated Temperature Error:** The error between the operating output voltage at 10 mV/°K and case temperature at specified conditions of current and case temperature.

**Calibrated Temperature Error:** The error between operating output voltage and case temperature at 10 mV/°K over a temperature range at a specified operating current with the 25°C error adjusted to zero.

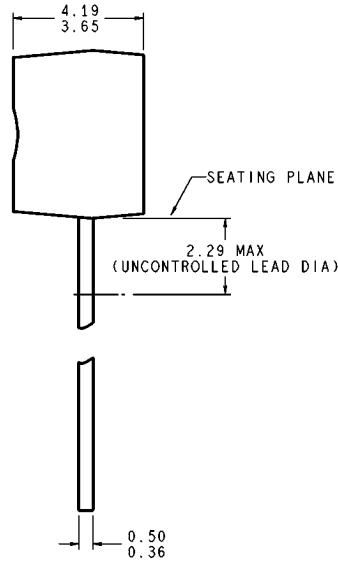
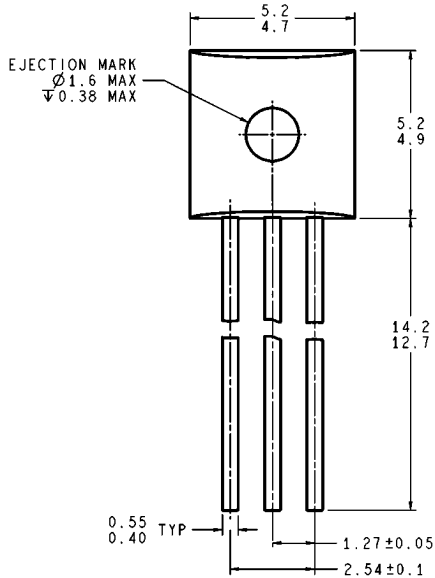
**Physical Dimensions** inches (millimeters) unless otherwise noted



CONTROLLING DIMENSION IS MILLIMETER  
VALUES IN [ ] ARE INCHES  
DIMENSIONS IN ( ) FOR REFERENCE ONLY

M08A (Rev L)

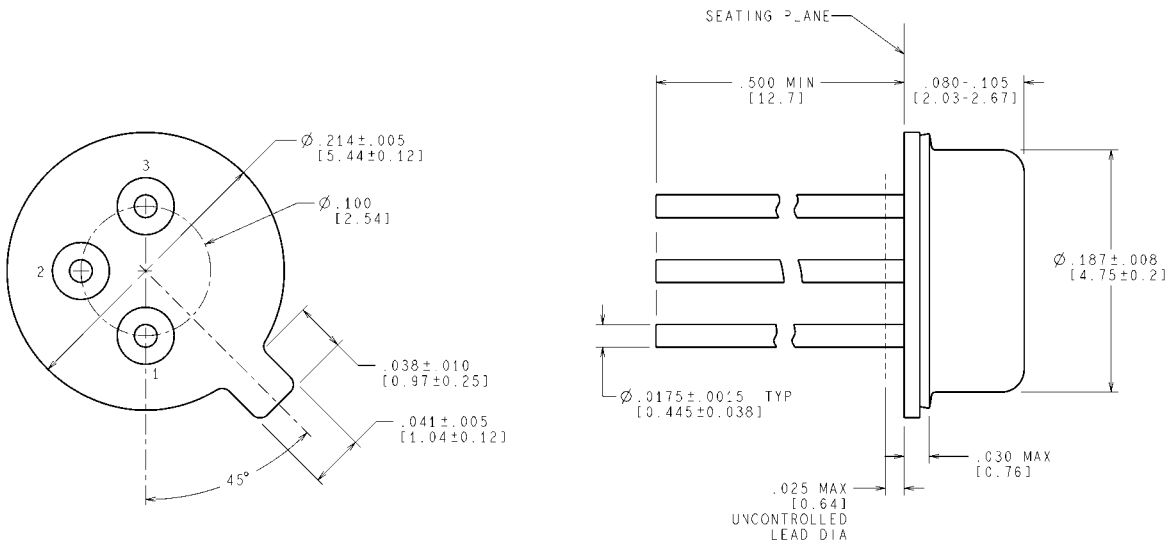
**8-Pin SOIC  
NS Package Number M08A**



DIMENSIONS ARE IN MILLIMETERS

Z03A (Rev G)

**TO-92  
NS Package Z03A**



CONTROLLING DIMENSION IS INCH  
VALUES IN [ ] ARE IN MILLIMETERS

H03H (Rev F)

**TO-46**  
**NS Package Number H03H**

## Notes

For more National Semiconductor product information and proven design tools, visit the following Web sites at:

| Products                       |  | Design Support          |  |
|--------------------------------|--|-------------------------|--|
| Amplifiers                     | <a href="http://www.national.com/amplifiers">www.national.com/amplifiers</a>   | WEBENCH® Tools          | <a href="http://www.national.com/webench">www.national.com/webench</a>             |
| Audio                          | <a href="http://www.national.com/audio">www.national.com/audio</a>             | App Notes               | <a href="http://www.national.com/appnotes">www.national.com/appnotes</a>           |
| Clock and Timing               | <a href="http://www.national.com/timing">www.national.com/timing</a>           | Reference Designs       | <a href="http://www.national.com/refdesigns">www.national.com/refdesigns</a>       |
| Data Converters                | <a href="http://www.national.com/adc">www.national.com/adc</a>                 | Samples                 | <a href="http://www.national.com/samples">www.national.com/samples</a>             |
| Interface                      | <a href="http://www.national.com/interface">www.national.com/interface</a>     | Eval Boards             | <a href="http://www.national.com/evalboards">www.national.com/evalboards</a>       |
| LVDS                           | <a href="http://www.national.com/lvds">www.national.com/lvds</a>               | Packaging               | <a href="http://www.national.com/packaging">www.national.com/packaging</a>         |
| Power Management               | <a href="http://www.national.com/power">www.national.com/power</a>             | Green Compliance        | <a href="http://www.national.com/quality/green">www.national.com/quality/green</a> |
| Switching Regulators           | <a href="http://www.national.com/switchers">www.national.com/switchers</a>     | Distributors            | <a href="http://www.national.com/contacts">www.national.com/contacts</a>           |
| LDOs                           | <a href="http://www.national.com/ldo">www.national.com/ldo</a>                 | Quality and Reliability | <a href="http://www.national.com/quality">www.national.com/quality</a>             |
| LED Lighting                   | <a href="http://www.national.com/led">www.national.com/led</a>                 | Feedback/Support        | <a href="http://www.national.com/feedback">www.national.com/feedback</a>           |
| Voltage Reference              | <a href="http://www.national.com/vref">www.national.com/vref</a>               | Design Made Easy        | <a href="http://www.national.com/easy">www.national.com/easy</a>                   |
| PowerWise® Solutions           | <a href="http://www.national.com/powerwise">www.national.com/powerwise</a>     | Solutions               | <a href="http://www.national.com/solutions">www.national.com/solutions</a>         |
| Serial Digital Interface (SDI) | <a href="http://www.national.com/sdi">www.national.com/sdi</a>                 | Mil/Aero                | <a href="http://www.national.com/milaero">www.national.com/milaero</a>             |
| Temperature Sensors            | <a href="http://www.national.com/tempsensors">www.national.com/tempsensors</a> | Solar Magic®            | <a href="http://www.national.com/solarmagic">www.national.com/solarmagic</a>       |
| Wireless (PLL/VCO)             | <a href="http://www.national.com/wireless">www.national.com/wireless</a>       | Analog University®      | <a href="http://www.national.com/AU">www.national.com/AU</a>                       |

THE CONTENTS OF THIS DOCUMENT ARE PROVIDED IN CONNECTION WITH NATIONAL SEMICONDUCTOR CORPORATION ("NATIONAL") PRODUCTS. NATIONAL MAKES NO REPRESENTATIONS OR WARRANTIES WITH RESPECT TO THE ACCURACY OR COMPLETENESS OF THE CONTENTS OF THIS PUBLICATION AND RESERVES THE RIGHT TO MAKE CHANGES TO SPECIFICATIONS AND PRODUCT DESCRIPTIONS AT ANY TIME WITHOUT NOTICE. NO LICENSE, WHETHER EXPRESS, IMPLIED, ARISING BY ESTOPPEL OR OTHERWISE, TO ANY INTELLECTUAL PROPERTY RIGHTS IS GRANTED BY THIS DOCUMENT.

TESTING AND OTHER QUALITY CONTROLS ARE USED TO THE EXTENT NATIONAL DEEMS NECESSARY TO SUPPORT NATIONAL'S PRODUCT WARRANTY. EXCEPT WHERE MANDATED BY GOVERNMENT REQUIREMENTS, TESTING OF ALL PARAMETERS OF EACH PRODUCT IS NOT NECESSARILY PERFORMED. NATIONAL ASSUMES NO LIABILITY FOR APPLICATIONS ASSISTANCE OR BUYER PRODUCT DESIGN. BUYERS ARE RESPONSIBLE FOR THEIR PRODUCTS AND APPLICATIONS USING NATIONAL COMPONENTS. PRIOR TO USING OR DISTRIBUTING ANY PRODUCTS THAT INCLUDE NATIONAL COMPONENTS, BUYERS SHOULD PROVIDE ADEQUATE DESIGN, TESTING AND OPERATING SAFEGUARDS.

EXCEPT AS PROVIDED IN NATIONAL'S TERMS AND CONDITIONS OF SALE FOR SUCH PRODUCTS, NATIONAL ASSUMES NO LIABILITY WHATSOEVER, AND NATIONAL DISCLAIMS ANY EXPRESS OR IMPLIED WARRANTY RELATING TO THE SALE AND/OR USE OF NATIONAL PRODUCTS INCLUDING LIABILITY OR WARRANTIES RELATING TO FITNESS FOR A PARTICULAR PURPOSE, MERCHANTABILITY, OR INFRINGEMENT OF ANY PATENT, COPYRIGHT OR OTHER INTELLECTUAL PROPERTY RIGHT.

### LIFE SUPPORT POLICY

**NATIONAL'S PRODUCTS ARE NOT AUTHORIZED FOR USE AS CRITICAL COMPONENTS IN LIFE SUPPORT DEVICES OR SYSTEMS WITHOUT THE EXPRESS PRIOR WRITTEN APPROVAL OF THE CHIEF EXECUTIVE OFFICER AND GENERAL COUNSEL OF NATIONAL SEMICONDUCTOR CORPORATION.** As used herein:

Life support devices or systems are devices which (a) are intended for surgical implant into the body, or (b) support or sustain life and whose failure to perform when properly used in accordance with instructions for use provided in the labeling can be reasonably expected to result in a significant injury to the user. A critical component is any component in a life support device or system whose failure to perform can be reasonably expected to cause the failure of the life support device or system or to affect its safety or effectiveness.

National Semiconductor and the National Semiconductor logo are registered trademarks of National Semiconductor Corporation. All other brand or product names may be trademarks or registered trademarks of their respective holders.

Copyright© 2008 National Semiconductor Corporation

For the most current product information visit us at [www.national.com](http://www.national.com)



**National Semiconductor  
Americas Technical  
Support Center**  
Email: [support@nsc.com](mailto:support@nsc.com)  
Tel: 1-800-272-9959

**National Semiconductor Europe  
Technical Support Center**  
Email: [europe.support@nsc.com](mailto:europe.support@nsc.com)  
German Tel: +49 (0) 180 5010 771  
English Tel: +44 (0) 870 850 4288

**National Semiconductor Asia  
Pacific Technical Support Center**  
Email: [ap.support@nsc.com](mailto:ap.support@nsc.com)

**National Semiconductor Japan  
Technical Support Center**  
Email: [jpn.feedback@nsc.com](mailto:jpn.feedback@nsc.com)